

www.rotofluidpumps.com
All Stainless Steel
ROTARY GEAR PUMPS

Series : FTSS



Perfect Solution for Transfer of Corrosive, Hygienic & Viscous Liquid



An ISO 9001:2015 Certified Company

Fluid Tech Systems

Ahmedabad - 382 430. (Guj.) INDIA



*“Let Our
Quality Speak
For Itself”*

ADVANCED TECHNOLOGY FOR PUMPING VISCOUS LIQUID



Rotary Gear Pumps
SINCE : 1993

ROTOFLUID® brand Stainless Steel Rotary Gear Pump Model-FTSS are compact, efficient, self-priming, bi-directional positive displacement pump for the transfer of corrosive chemicals, food & cosmetic and other viscous chemicals.

MODEL & PERFORMANCE CHART

PUMP MODEL	SUCTION & DELIVERY	CAPACITY AT 1440 RPM			RECOMMENDED MOTOR HP		
		LPM	US GPM	M ³ /hr	Up to 3 kg./cm ²	Up to 7 kg./cm ²	Up to 10 kg./cm ²
FTSS - 025	¼" X ¼"	8	2.1	0.5	0.25	0.35	0.5
FTSS - 040	⅜" X ⅜"	15	3.9	0.9	0.5	0.75	1.0
FTSS - 050	½" X ½"	25	6.6	1.5	0.5	0.75	1.0
FTSS - 075	¾" X ¾"	30	7.9	1.8	0.75	1.0	1.5
FTSS - 100	1" X 1"	50	13.2	3.0	1.0	1.5	2.0
FTSS - 125	1¼" X 1¼"	100	26.4	6.0	1.5	2.0	3.0
FTSS - 150	1½" X 1½"	125	33.0	7.5	2.0	3.0	5.0
FTSS - 200	2" X 2"	200	52.8	12.0	3.0	5.0	7.5
FTSS - 250	2½" X 2½"	300	79.25	18.0	5.0	10.0	12.5

APPLICATION INDUSTRIES

- Food & Beverages Industry
- Pharmaceutical Industry
- Dyeing & Printing Houses
- Chemical Industry
- Cosmetic Industry

LIQUIDS CAN HANDLE

- All types of Food Products (Clarified Butter/Fruit Pulp/Vegetable Sauce/ Vegetable Oil/Animal Oil/Fish Oil)
- Sugar Solution
- Glycerine, Glycol etc
- Cosmetic products (Shampoo/Body Lotion/Baby Oil/Hair Oil/Shower Gel/Soap Solution etc)
- Paints & Resins
- Corrosive Viscous Chemicals

SALIENT FEATURES

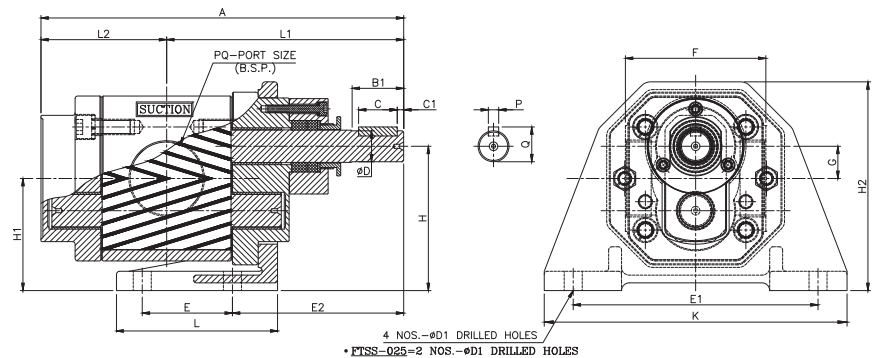
- Self-Priming
- Working Pressure upto 10Bar
- Size from 1/4" to 2½" to handle flow from 8 LPM to 300LPM
- Can handle maximum viscosity 25000CST
- Designed to handle fluid at temperature upto 200°C
- Available in flange and foot mounting type.
- The gears and shaft in the pump are nitrided to give longer life & trouble free performance.
- High strength three pieces stainless steel construction in the pump makes its easily cleanable and maintainable.
- The PTFE coated bush in the pump for smooth performance in dry bearing condition.
- Bi-Directional
- Sealing options available – Gland Packing / Single Mechanical Seal / Oil Seal

ACCESSORIES

- Stand and Base Plate
- Product Connecting Flanges
- Motor and Gear Reducers
- Variable Frequency Drives
- Electric Motor Stator
- Couplings

MATERIAL OF CONSTRUCTION

Parts	Material
Body	CF8M – SS-316
Front Cover	CF8M – SS-316
Back Cover	CF8M – SS-316
Gland Cover	CF8M – SS-316
R.H. & L.H Gear	AISI – SS-316
Rotor/Stator Shaft	AISI – SS-316
Bush Bearing	Teflon Coated 'DU'
Mounting Bracket	C.I. Grade – 20 IS 210
Sealing	Gland Packing / Oil Seal / Mechanical Seal
Packing	Teflon Sheet
Key for Coupling	AISI SS-316



DIMENSIONAL DRAWING DETAILS

PUMP MODEL	OVER ALL								MOUNTING & SHAFT											APPROX WEIGHT		
	A	F	G	H2	K	L	L1	L2	E	E1	E2	H	H1	D	D1	C	C1	P	Q		B1	PQ
FTSS - 025	128	60	12.5	94	145	60	93	35	-	120	88	63	50	11.5	8	17	3	4	13	25	1/4"	3.7 kg.
FTSS - 040	133	69	14.75	104	145	92	96	36	50	120	86	71	56	11.5	8	17	3	4	13	25	3/8"	4.5 kg.
FTSS - 050	146	69	14.75	104	145	92	103	43	50	120	86	71	56	11.5	8	17	3	4	13	25	1/2"	4.7 kg.
FTSS - 075	159	78	17	126	175	90	114	45	50	140	91	90	72	14	10.5	25	3.5	5	16	32	3/4"	6.6 kg.
FTSS - 100	175	78	17	126	175	90	122	53	50	140	91	90	72	14	10.5	25	3.5	5	16	32	1"	7 kg.
FTSS - 125	212	96	20.5	144.5	190	100	144	68	50	153	110	100	80	18	12	30	3	6	20.5	38	1¼"	11 kg.
FTSS - 150	226	96	20.5	144.5	190	100	151	75	50	153	110	100	80	18	12	30	3	6	20.5	38	1½"	12.5 kg.
FTSS - 200	282	109	25	162	235	125	184	98	70	190	133	112	88	24	14	30	5	8	27	40	2"	20 kg.
FTSS - 250	326	128	30	190	260	150	219	107	85	200	165	132	102	28	16	40	5	8	31	50	2½"	30 kg.

* All dimensions are in millimeters. Unless otherwise stated, specifications are subject to change without prior notice as improvements are made from time to time.

Mfgd. by :

An ISO 9001:2015 Certified Company



Fluid Tech Systems

Ahmedabad - 382 430, (Guj.) INDIA
E-mail : info@rotofluidpumps.com, marketing@rotofluidpumps.com
Website : www.rotofluidpumps.com

Distributor :